
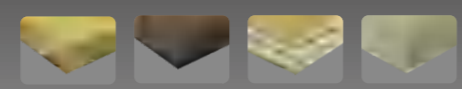


[Profile Cutter]


Panel cutter



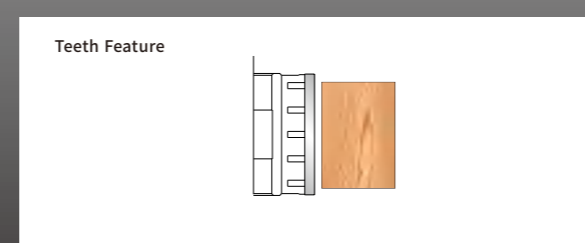
Material



Machine: Vertical milling machine, Four Side Moulder
 Application: Solid wood, MDF, Chipboard,
 Feature: chip conveyor design
 Advantage: The processed surface is more smooth, long lifespan and endurance

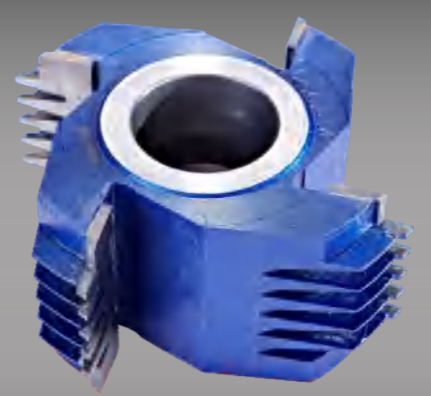


Teeth Feature

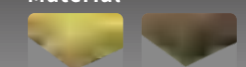


No.	OD	ID	H	Z
1	90	35	20	4
2	90	35	30	4
3	90	35	40	4
4	90	35	50	4
5	90	35	60	4
6	90	35	70	4
7	90	35	80	4
8	90	35	90	4
9	90	35	100	4
10	90	35	120	4
11	125	40	40	4
12	125	40	60	4
13	125	40	80	4
14	125	40	100	4
15	125	40	120	4
16	125	40	40	6
17	125	40	60	6
18	125	40	80	6
19	125	40	100	6
20	125	40	120	6


Integreted



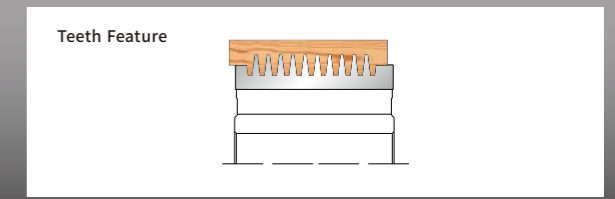
Material



Machines: Vertical Milling machine, Four-side Moulder,
 Finger joint machine
 Application: Solid wood joint
 Advantage: No gap; durable

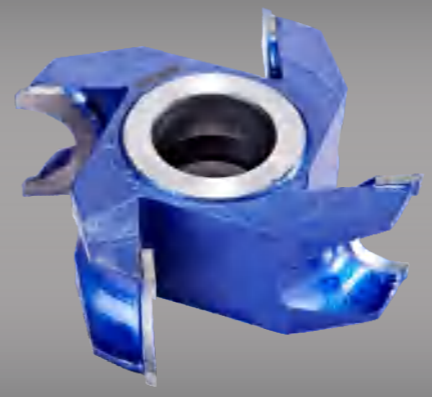


Teeth Feature

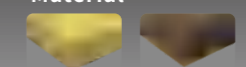


No.	OD	ID	H	Z	Finger
1	125	40/35	28	4	1F
2	125	40/35	36	4	2F
3	125	40/35	44	4	3F
4	125	40/35	52	4	4F
5	125	40/35	60	4	5F
6	125	40/35	68	4	6F
7	125	40/35	76	4	7F
8	125	40/35	84	4	8F
9	125	40/35	92	4	9F
10	125	40/35	100	4	10F
11	125	40/35	116	4	12F


Half round cutters



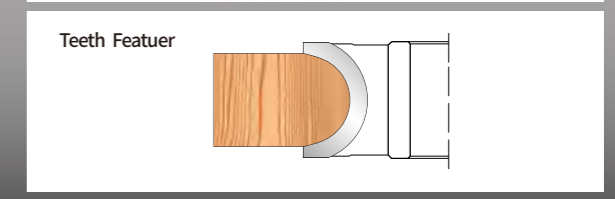
Material



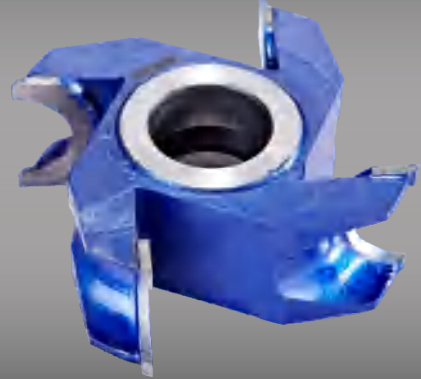
Machines: Vertical milling machine, Four-side Moulder
 Application: Solid wood, MDF or edge chamfering.
 Features: Small production tolerance.




Teeth Feature




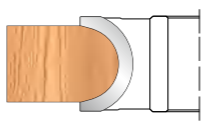
Half round cutters



Material


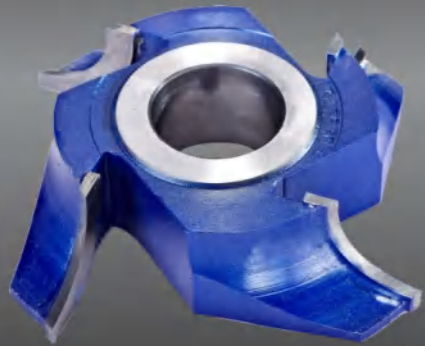
Machines: Vertical milling machine, Four-side Moulder
 Application: Solid wood, MDF or edge chamfering.
 Features: Small production tolerance.

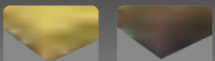


Teeth Feature



No.	OD	ID	R	Z
1	90	35	10	4
2	90	35	12	4
3	90	35	15	4
4	90	35	17.5	4
5	90	35	20	4
6	90	35	25	4

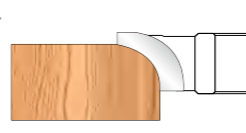
1/4 corner round cutters



Material


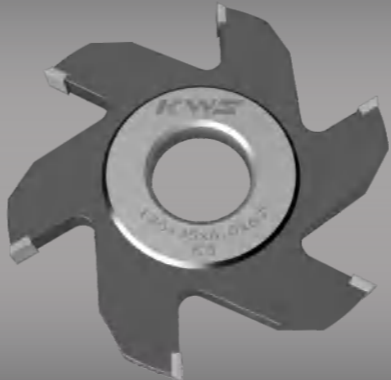
Machines: Vertical milling machine, Four-side moulder
 Application: Edge chamfer of wood, MDF
 Advantage: high quality alloy, more endurable and life span




Teeth Feature



No.	OD	ID	R	Z	Shape
1	90	35	12	4	R
2	90	35	15	4	R
3	90	35	18	4	R
4	90	35	20	4	R
5	90	35	22	4	R
6	90	35	25	4	R
7	90	35	30	4	R
8	90	35	35	4	R
9	90	35	40	4	R

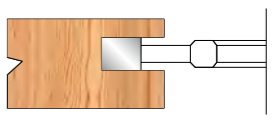
Grooving cutters



Material


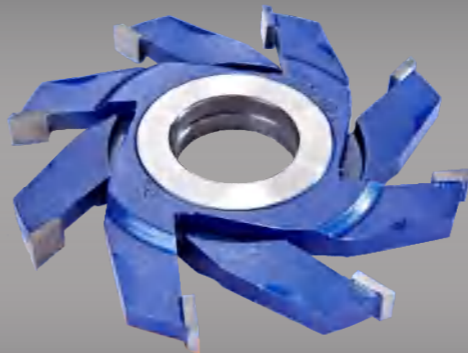
Machine: Vertical milling machine, Four-side moulder
 Application: Solid wood, MDF, Chipboard etc.
 Advantage: High quality alloy, perfect Chip conveyor design

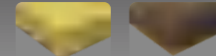


Teeth Feature



No.	OD	ID	Thickness	Z
1	125	35	3.0	6
2	125	35	4.0	6
3	125	35	5.0	6
4	125	35	6.0	6
5	125	35	7.0	6
6	125	35	8.0	6
7	125	35	9.0	6
8	125	35	10.0	6
9	125	35	12.0	6

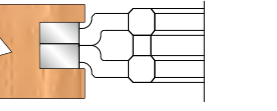
Adjustable grooving cutters



Material


Machine: Vertical milling machine, four side moulder
 Application: Wood processing
 Advantage: Combination design, great flexibility. The required groove width can be adjusted according to requirements

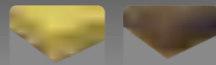


Teeth Feature


No.	D	d	H	Z
1	130	35	6	4
2	130	35	8	4
3	130	35	10	4

Cabinet door cutters

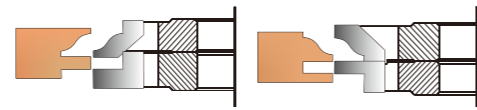
Material



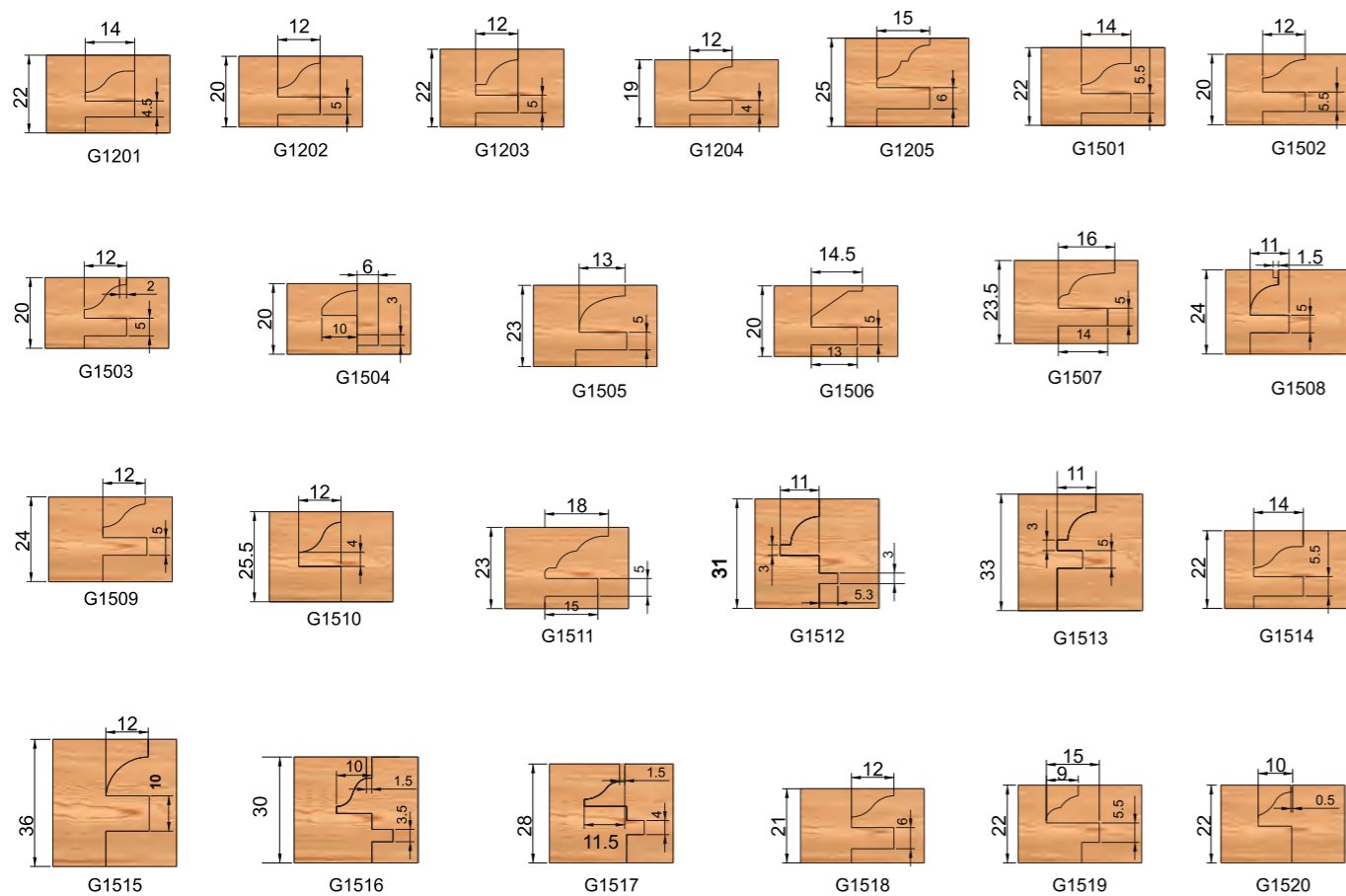
Machines: Vertical milling machine, Processing center
 Application: Solid wood, door frame
 Design: Two blades or four blades as combination
 Advantage: Easy to adjust the mating of tenon and groove



Teeth Feature

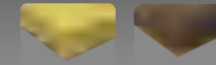


No.	SPECIFICATION
1	G1201(4cutters/Set)
2	G1202(4cutters/Set)
3	G1203(4cutters/Set)
4	G1204(4cutters/Set)
5	G1205(4cutters/Set)



Door frame cutters

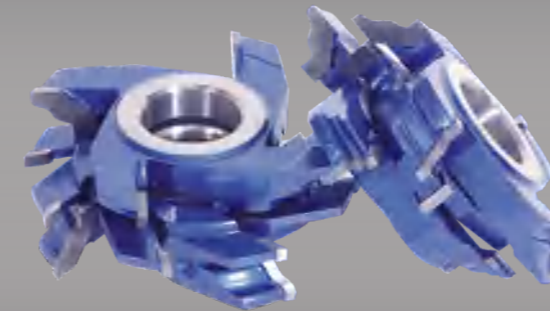
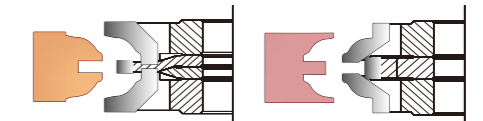
Material



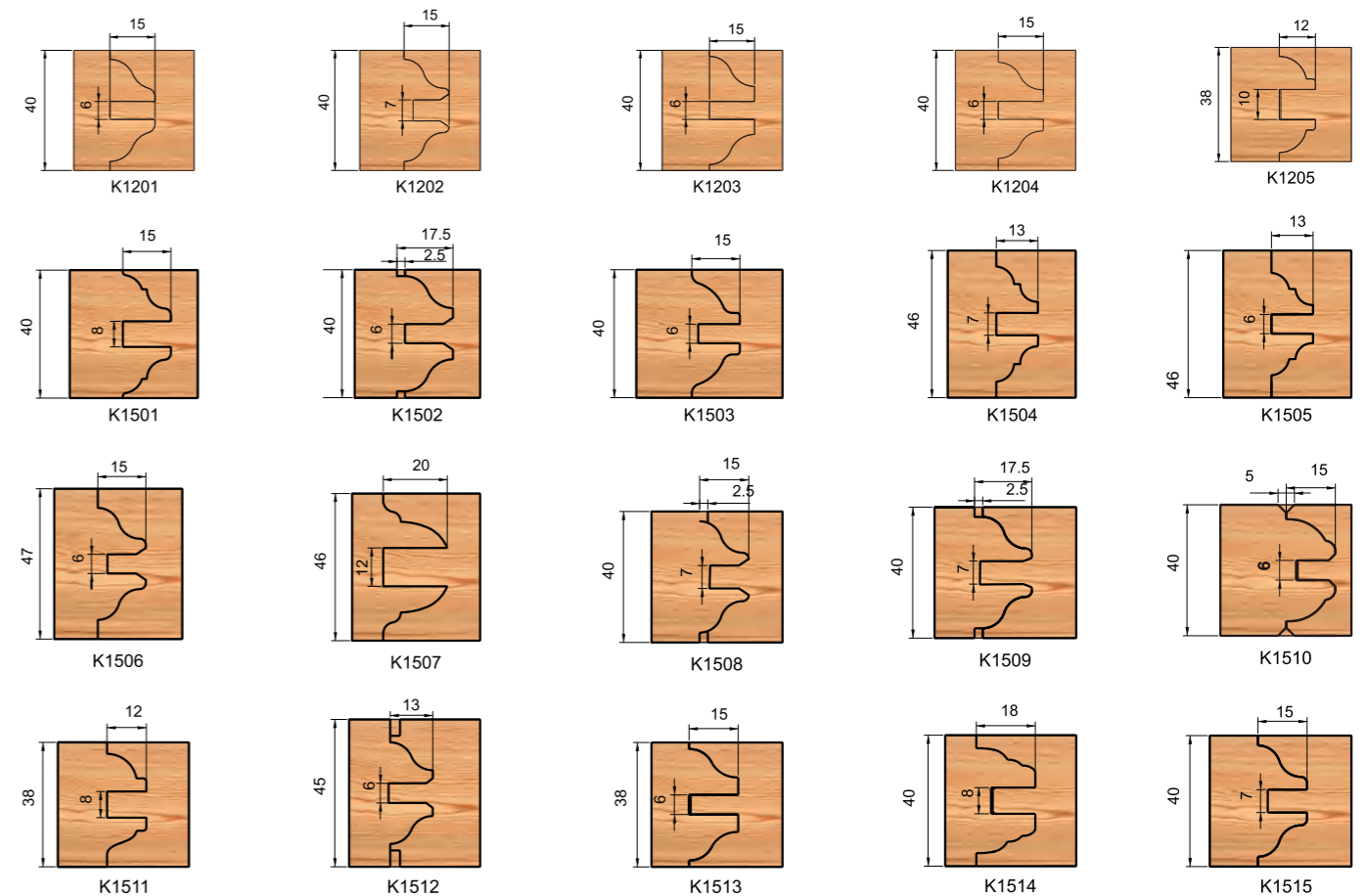
Machine: Vertical milling machine, four-side moulder
 Application: Door frame
 Features: 2 Blades or 7 blades as combination
 Advantage: 7 blades combinations can make the linearity better coordinated



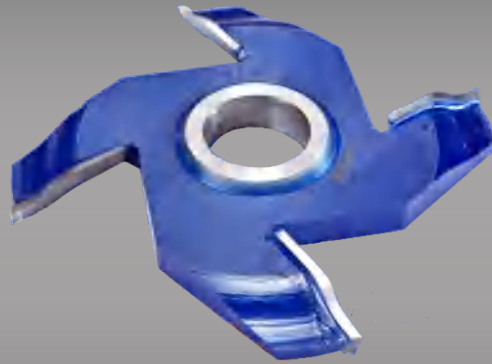
Teeth Feature



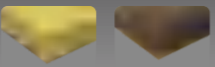
No.	SPECIFICATION
1	K1201(7 cutters/Set)
2	K1202(7 cutters/Set)
3	K1203(7 cutters/Set)
4	K1204(7 cutters/Set)
5	K1205(7 cutters/Set)




Door plank cutters



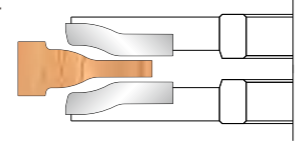
Material



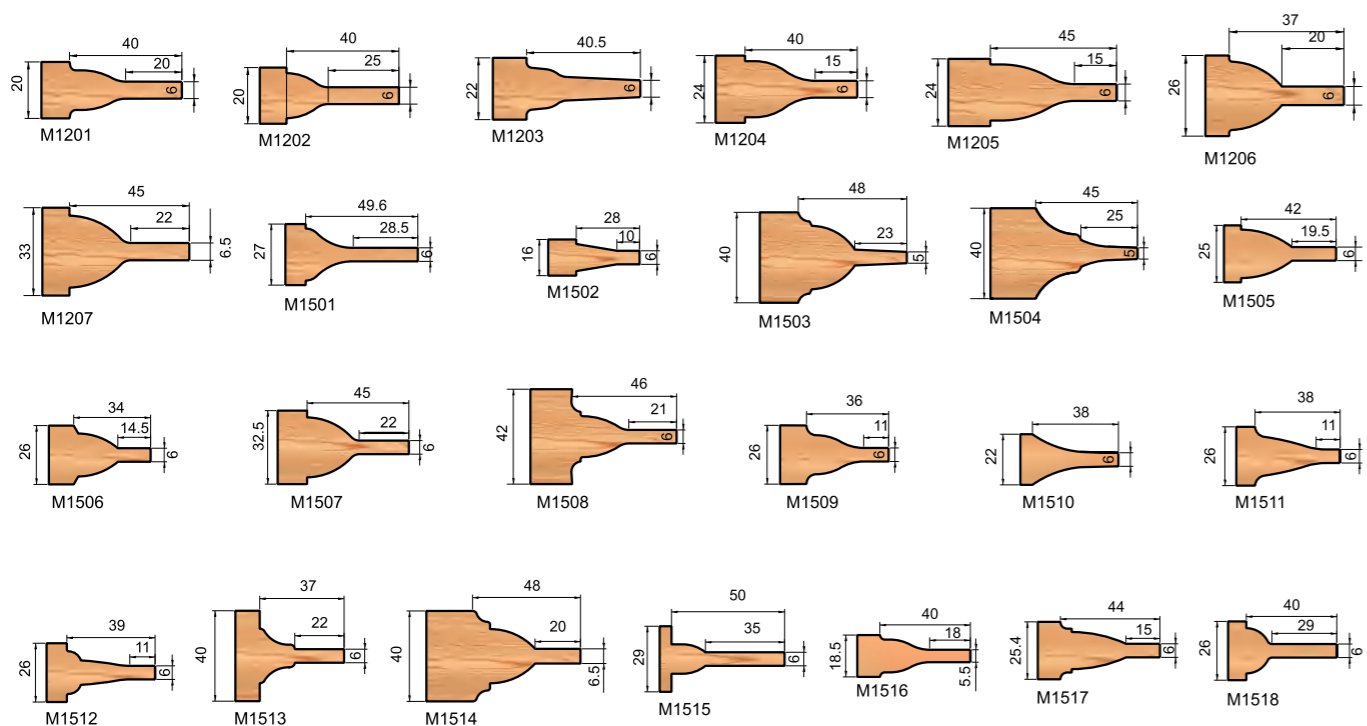
Machine: Vertical milling machine, processing center
 Application: Solid wood door plank processing
 Features: 1 or 2 pieces flexible usage, tenon width adjustable



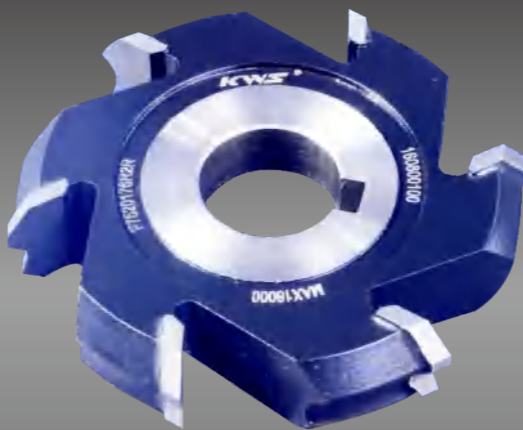
Teeth Featur




No.	SPECIFICATION	H
1	M1201(2 cutter/Set)	20
2	M1202(2 cutter/Set)	20
3	M1203(2 cutter/Set)	22
4	M1204(2 cutter/Set)	24
5	M1205(2 cutter/Set)	24
6	M1206(2 cutter/Set)	26
7	M1207(2 cutter/Set)	33
8	M1208(2 cutter/Set)	22
9	M1209(2 cutter/Set)	25
10	M1210(2 cutter/Set)	25.5
11	M1211(2 cutter/Set)	32
12	M1212(2 cutter/Set)	33




Edge banding cutters



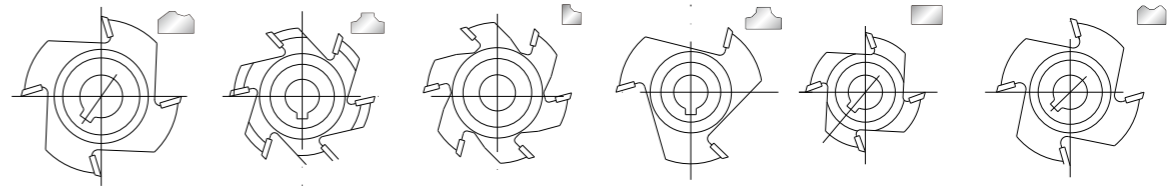
Material



Machine: Edge banding machine
 Application: Trimming MDF, Chipboard, plywood
 Design: Standard R2/R3 with 4 blade or 6 blades
 Advantage: Good dynamic balance, Good edge surface
 Remark: ODM/OEM supported




Teeth Featur




No.	OD	ID	H	Z	R/L
1	75	20	17	R2	L/R
2	75	20	17	R3	L/R
3	58	16	12		
4	56	16/20	14		
5	80	20	21	R2.5	
6	70	16	17		
7	60	16	11	R2	
8	60	16	11	R3	
9	68	16	16	R2	
10	68	16	16	R3	
11	69	16	13	R2/R3	
12	69	16	13	R2/R3	
13	69	20	13	R2	
14	75	20	17	R2	
15	75	20	17	R3	



Tenon cutters



Material




Machine: Tenoning machine
 Application: Solid wood
 45°, 135°, 90° Tenon processing
 Advantage: Special design for saw blade installation and Replacement
 Including 1 piece PCD saw blade

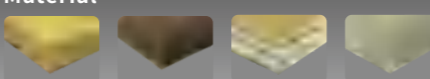



No.	Specification	Saw blade	Machine
1	100*70*25(Oblique blade)	Yes L	MAS MSZ2000
2	100*70*25(Oblique blade)	Yes R	MASMSZ2000
3	112*30	Yes	QCM MX3810B
4	123*30	Yes	QCM MX3815C
5	130*30(Oblique blade)	Yes	MAS MDK3113B1

Planer cutter with replacable blade



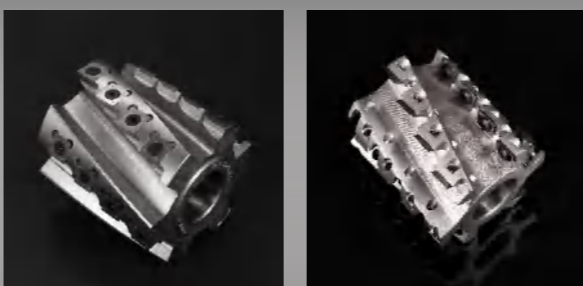
Material



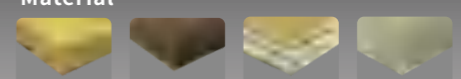
Machine: Vertical milling machine, Four Side Moulder
 Application: Solid wood, MDF, Chipboard,
 Feature: chip conveyor design replacable inserts
 Advantage: The processed surface is more smooth, long lifespan and endurance

No.	OD	ID	Height	Z
1	90	35	40-120	4
2	100	40	40-130	6
3	125	40	60-230	6


Helical Cutter Block



Material



Machine: Vertical Milling machine, Four-side moulder
 Application: Wood, MDF, HDF
 Advantage: High quality helix structure,
 Inserts can be replaced
 High efficiency, Silence,



No.	OD	ID	Height	Z	Blade Angle	Type
1	90	35	60	6	30°	light duty
2	90	35	80	6	30°	light duty
3	90	35	100	6	30°	light duty
4	90	35	120	6	30°	light duty
5	100	35	60	6	30°	light duty
6	100	35	80	6	30°	light duty
7	100	35	100	4	30°	light duty
8	100	35	120	6	30°	light duty
9	125	40	60	6	30°	light duty
10	125	40	80	6	30°	light duty
11	125	40	100	6	30°	light duty
12	125	40	120	6	30°	light duty
13	125	40	150	6	30°	light duty
14	90	35	40	6	37°	heavy duty
15	90	35	60	6	37°	heavy duty
16	90	35	80	6	37°	heavy duty
17	90	35	100	6	37°	heavy duty
18	90	35	120	4	37°	heavy duty
19	90	35	130	6	37°	heavy duty
20	100	35/40	40	6	37°	heavy duty
21	100	35/40	60	6	37°	heavy duty
22	100	35/40	80	6	37°	heavy duty
23	100	35/40	100	6	37°	heavy duty
24	100	35/40	120	6	37°	heavy duty
25	125	40	60	6	37°	heavy duty
26	125	40	80	6	37°	heavy duty
27	125	40	100	6	37°	heavy duty
28	125	40	120	4	37°	heavy duty
29	125	40	150	6	37°	heavy duty
30	125	40	180	6	37°	heavy duty
31	125	40	200	6	37°	heavy duty
32	125	40	230	6	37°	heavy duty

Router bit]

TCT straight bits



Material



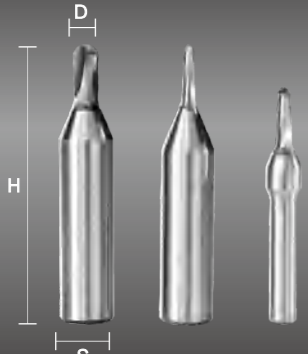
Machines: Engraving machine,
CNC machining center etc
Application: Wood, MDF, Bamboo
Features: Dual flute made of TCT alloy
Advantages: High quality alloy, unique welding process,
excellent quality, super long life and durable

Stock: ● Yes ○ No


No.	S	D	H	Z	K6
1	1/2	2	6	2T	●
2	1/2	2.5	6	2T	●
3	1/2	3	12	2T	●
4	1/2	3.5	12	2T	●
5	1/2	4	12	2T	●
6	1/2	4	15	2T	●
7	1/2	4.5	15	2T	●
8	1/2	5	15	2T	●
9	1/2	5.5	15	2T	●
10	1/2	6	15	2T	●
11	1/2	6	20	3T	●
12	1/2	6	22	3T	●
13	1/2	6	28	3T	●
14	1/2	8	20	3T	●
15	1/2	8	22	3T	●
16	1/4	2	6	2T	●
17	1/4	2.5	6	2T	●
18	1/4	3	12	2T	●
19	1/4	3.5	10	2T	●
20	1/4	4	12	2T	●
21	1/4	4	15	2T	●
22	1/4	4.5	15	2T	●
23	1/4	5	15	2T	●
24	1/4	5.5	15	2T	●
25	1/4	6	15	2T	●



TCT cove box bit



Material

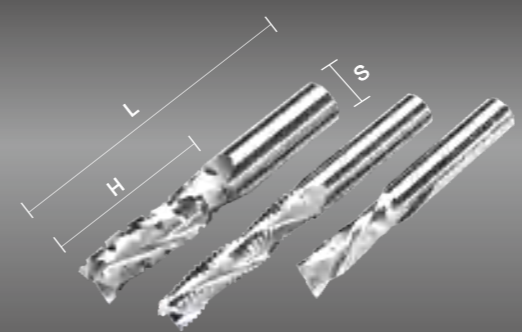


Machine: Engraving machine, CNC centre, CNC mortise machine
 Application: Solid Wood, Density board
 Advantage: Dual flutes made of TCT alloy, Longer life
 Large chip removal space More cutting force


Stock: Yes No

No.	S	D	H	K5
1	1/2	3	8	<input checked="" type="radio"/>
2	1/2	4	8	<input checked="" type="radio"/>
3	1/2	5	8	<input checked="" type="radio"/>
4	1/2	6	8	<input checked="" type="radio"/>
5	1/4	3	8	<input checked="" type="radio"/>
6	1/4	4	8	<input checked="" type="radio"/>
7	1/4	5	8	<input checked="" type="radio"/>
8	1/4	6	8	<input checked="" type="radio"/>

TCT milling cutters



Material



Machine: Engraving machine, CNC machining center, CNC tenon and grooving machine
 Application: Trimming, mortise and groove, strip hole
 Advantages: Sharp, durable; Accuracy, Stable quality

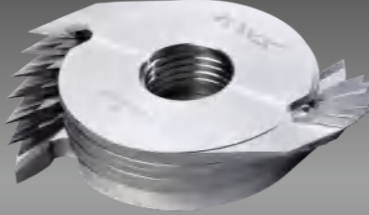
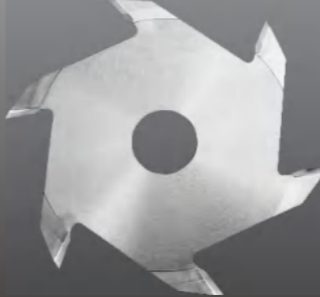
Stock: Yes No

No.	NAME	SHANK DIA	BLADE DIA	TOTAL L	Z	K5
1	TCT milling cutter	16	16	165	3	<input checked="" type="radio"/>
2	TCT milling cutter	16	18	165	3	<input checked="" type="radio"/>
3	TCT milling cutter	16	20	165	3	<input checked="" type="radio"/>


[Finger joint cutters]

Finger joint cutters




Material



Machine: Joint machine, vertical milling comb machine
 Application: wood joint
 Advantage: Easy installation, sharp, precise, durable



Stock: ● Yes ○ No

No.	Outer diam	Inner diam.	Thickness	Z	Depth	K5+
1	160	40/50/70	9.0	2	12mm	●
2	160	40/50/70	4.0	2	12mm	●
3	250	50	4.0	6	9mm	●
4	250	50	4.0	6	12mm	●